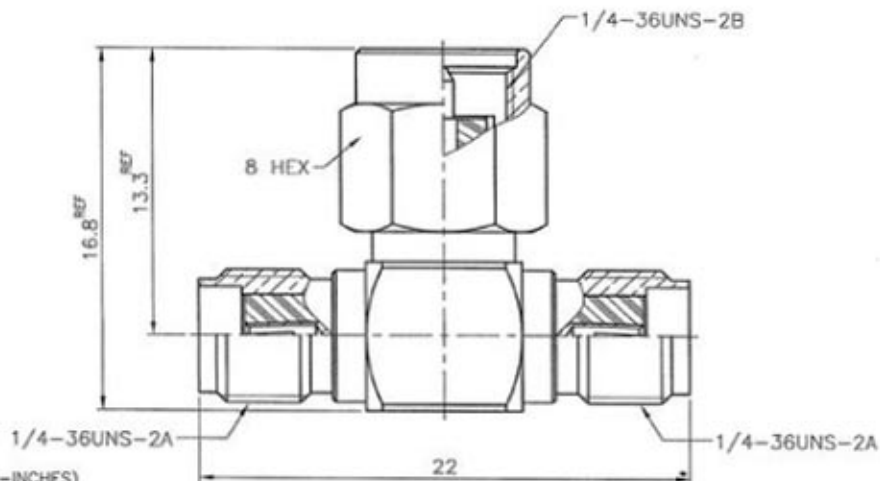


REVISIONS

ISS SYMBOL DESCRIPTION/DATE

REMARK: RoHS COMPLIANT
(符合 RoHS)

FOR CUSTOMER



NOTES: FINISH (PLATING THICKNESS IN MICRO-INCHES)

- BRASS PER QQ-B-626
- GOLD PL 3 MIN OVER NICKEL PL 70 MIN THICK OVER COPPER STRIKE
- GOLD PL 30 MIN OVER NICKEL PL 70 MIN THICK OVER COPPER STRIKE
- TEFLON MIL-P-19468
- BERYLLIUM COPPER PER QQ-C-530

NO.	DESCRIPTION	MATERIAL	FINISH	Q'TY	DRAWING NO.
	COVER		NOTE 1	NOTE 2	
	SHELL		NOTE 1	NOTE 2	
	GASKET	SILICONE	RED		
	C RING		NOTE 5	NONE	
	CONTACT PIN		NOTE 1	NOTE 3	
	INSULATOR		NOTE 4	WHITE	
	CONTACT PIN		NOTE 5	NOTE 3	
	INSULATOR		NOTE 4	WHITE	
	MAIN BODY		NOTE 1	NOTE 2	

DIMENSIONS ARE IN MILLIMETERS

UNLESS OTHERWISE SPECIFIED
TOLERANCES
(—公差)

0.5-6	= ±0.2
>6-30	= ±0.4
>30-120	= ±0.6
>120-315	= ±1
>315-1000	= ±1.6
ANGLES(角度) = ±5°	

PART NO.

APPROVED DATE

 02/24/10'

CHECKED DATE

 02/24/10'

DRAWN DATE

 02/24/10'
TITLE
SMA T-ANGLE JACK-PLUG-JACK
ADAPTORDRAWING NO.
7898NT500BD000B

FILE NO. Z:\AND\7898\NT\500\000\7898NT500BD000B-A1