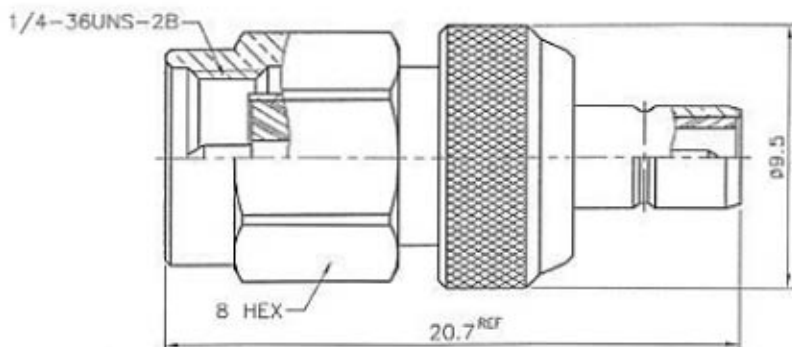


REVISIONS	
ISS SYMBOL	DESCRIPTION/DATE
A1	由BJ-8804-88BGT004 暫結轉來 \10/23/06'
A2	變更 BODY,SHELL,C RING \04/08/11'



NOTES: FINISH (PLATING THICKNESS IN MICRO-INCHES)

- BRASS PER QQ-B-628
- GOLD PL 3 MIN OVER NICKEL PL 70 MIN THICK OVER COPPER STRIKE
- GOLD PL 30 MIN OVER NICKEL PL 70 MIN THICK OVER COPPER STRIKE
- TEFLON MIL-P-19468
- PASSIVATED

SHELL	NOTE 1	NOTE 2			
GASKET	SILICONE	RED			
C RING	SUS 304	NOTE 5			
BODY	NOTE 1	NOTE 2			
INSULATOR	NOTE 4	WHITE			
CONTACT PIN	NOTE 1	NOTE 3			
INSULATOR	NOTE 4	WHITE			
BODY	NOTE 1	NOTE 2			
NO.	DESCRIPTION	MATERIAL	FINISH	Q'TY	DRAWING NO.

DIMENSIONS ARE IN MILLIMETERS UNLESS OTHERWISE SPECIFIED TOLERANCES (-公差)		PART NO.	
0.5-6	= ±0.2	APPROVED	DATE
>6-30	= ±0.4	<i>KWJ</i>	04/08/11'
>30-120	= ±0.6	CHECKED	DATE
>120-315	= ±1	<i>cut</i>	04/08/11'
>315-1000	= ±1.6	DRAWN	DATE
ANGLES(角度)	= ±5°	<i>Adou</i>	04/08/11'

TITLE	
SMA PLUG TO SMB JACK ADAPTOR	
DRAWING NO.	
78P91JNS5BD000B	
FILE NO.	
Z:\IND\78P\91J\25\000\78P91JNS5BD000B-A2	

RoHS COMPLIANT