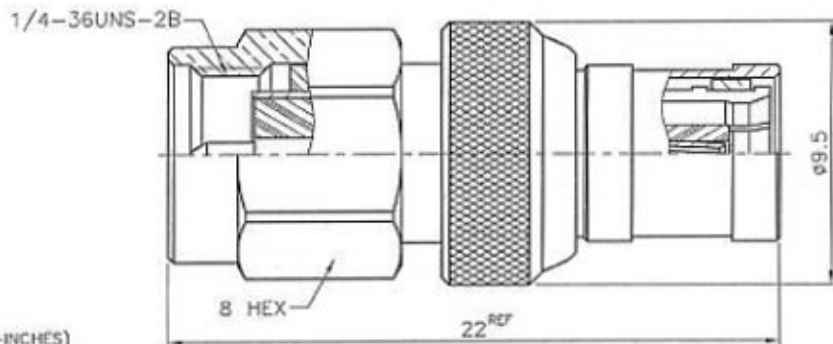


ISS		SYMBOL	REVISIONS
		DESCRIPTION\DATE	
A1			由BU-8804-888GTG003 变更规格\06/23/09
A2			变更BODY,SHELL,C RING\04/11/11



NOTES: FINISH (PLATING THICKNESS IN MICRO-INCHES)

- BRASS PER QQ-B-626
- GOLD PL 3 MIN OVER NICKEL PL 70 MIN THICK OVER COPPER STRIKE
- GOLD PL 30 MIN OVER NICKEL PL 70 MIN THICK OVER COPPER STRIKE
- TEFLON MIL-P-19468
- BERYLLIUM COPPER PER QQ-C-530
- PASSIVATED

SHELL	NOTE 1	NOTE 2	
GASKET	SILICONE	RED	
C RING	SUS 304	NOTE 6	
SHELL	NOTE 1	NOTE 2	
C RING	NOTE 5	NONE	
BODY	NOTE 1	NOTE 2	
INSULATOR	NOTE 4	WHITE	
CONTACT PIN	NOTE 5	NOTE 3	
INSULATOR	NOTE 4	WHITE	
BODY	NOTE 1	NOTE 2	

DIMENSIONS ARE IN MILLIMETERS

UNLESS OTHERWISE SPECIFIED TOLERANCES

(—公差)  
 0.5-6 = ±0.2  
 >6-30 = ±0.4  
 >30-120 = ±0.6  
 >120-315 = ±1  
 >315-1000 = ±1.6  
 ANGLES(角度) = 45°

PART NO.

APPROVED *[Signature]* DATE 04/11/11

CHECKED *[Signature]* DATE 04/11/11

DRAWN *[Signature]* DATE 04/11/11

RoHS COMPLIANT

TITLE	SMA PLUG TO SMB PLUG ADAPTOR
DRAWING NO.	78P91PNS5BD000B
FILE NO.	Z:\IND\78P\91P\NS5\000\78P91PNS5BD000B-A2