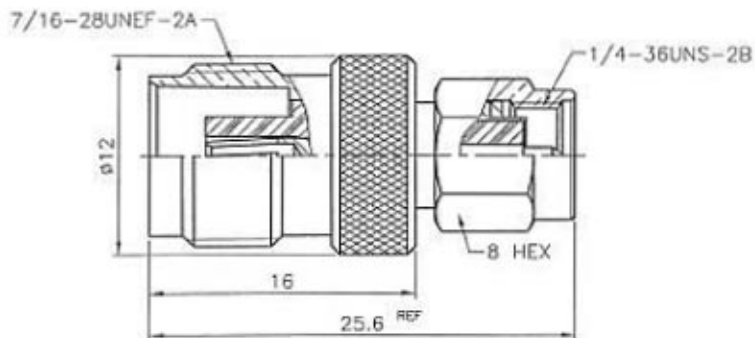


REVISIONS	
ISS	DESCRIPTION/DATE
A1	由BJ-7826-BNFG001-R 型號轉來\10/23/06
A2	更換 C RING\11/24/10'



NOTES: FINISH (PLATING THICKNESS IN MICRO-INCHES)

- BRASS PER QQ-B-626
- NICKEL PL 70 MIN THICK OVER COPPER STRIKE
- GOLD PL 3 MIN OVER NICKEL PL 70 MIN THICK OVER COPPER STRIKE
- TEFLON MIL-P-19468
- PHOSPHOR BRONZE PER QQ-B-750
- STAINLESS STEEL PER QQ-S-784, TYPE 303
- PASSIVATED

ROHS COMPLIANT

					DIMENSIONS ARE IN MILLIMETERS		PART NO.				
NO.	DESCRIPTION	MATERIAL	FINISH	O/TY	DRAWING NO.	SCALE	3/1	ISSUE	AZ		
	SHELL	NOTE 1	NOTE 2			UNLESS OTHERWISE SPECIFIED TOLERANCES (-公差) 0.5-6 = ±0.2 >6-30 = ±0.4 >30-120 = ±0.6 >120-315 = ±1 >315-1000 = ±1.6 ANGLES(角度) = ±5°					
	CASKET	SILICONE	RED						APPROVED	DATE	
	C RING	NOTE 6	NOTE 7						<i>Allen</i>	11/24/10'	TITLE
	CONTACT PIN	NOTE 5	NOTE 3						CHECKED	DATE	TNC JACK TO SMA PLUG ADAPTOR
	INSULATOR	NOTE 4	WHITE						<i>Allen</i>	11/24/10'	DRAWING NO.
	BODY	NOTE 1	NOTE 2						DRAWN	DATE	74J78PNS5BF00B
									<i>Allen</i>	11/24/10'	FILE NO. Z:\VNO\74J\78P\NS5\000\74J78PNS5BF00B-A2