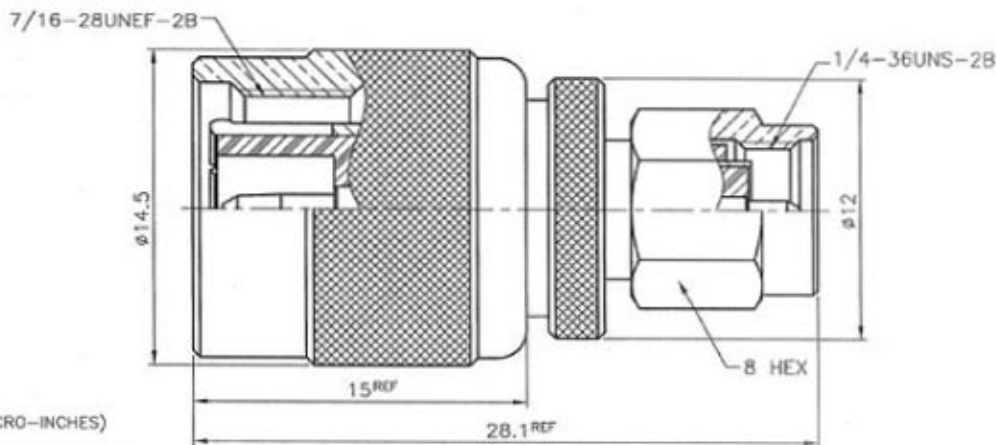


REVISIONS

ISS	SYMBOL	DESCRIPTION\DATE
A1		由R7B25-BNTG 圖號變更 \01/21/09'

REMARK: RoHS COMPLIANT
(符合 RoHS)

FOR CUSTOMER



NOTES: FINISH (PLATING THICKNESS IN MICRO-INCHES)

1. BRASS PER QQ-B-626
2. NICKEL PL 70 MIN THICK OVER COPPER STRIKE
3. GOLD PL 3 MIN OVER NICKEL PL 70 MIN THICK OVER COPPER STRIKE
4. TEFLON MIL-P-19468
5. BERYLLIUM COPPER PER QQ-C-530

NO.	DESCRIPTION	MATERIAL	FINISH	Q'TY	DRAWING NO.
	SHELL		NOTE 1	NOTE 2	
	GASKET	SILICONE	RED		
	C RING		NOTE 5	NONE	
	SHELL		NOTE 1	NOTE 2	
	GASKET	SILICONE	RED		
	C RING	SS41	NOTE 2		
	WASHER	DELTRIN	WHITE		
	WASHER	SS41	NOTE 2		
	CONTACT PIN		NOTE 1	NOTE 3	
	INSULATOR		NOTE 4	WHITE	
	BODY		NOTE 1	NOTE 2	

DIMENSIONS ARE IN MILLIMETERS

UNLESS OTHERWISE SPECIFIED TOLERANCES

(一般公差)	
0.5~6	± 0.2
>6~30	± 0.4
>30~120	± 0.6
>120~315	± 1
>315~1000	± 1.6
ANGLES(角度)	$\pm 15'$

PART NO.

APPROVED DATE

01/21/09'

CHECKED DATE

01/21/09'

DRAWN DATE

01/21/09'

TITLE

TNC PLUG TO SMA PLUG ADAPTOR

DRAWING NO.

74P78PNS5BF001B

FILE NO. Z:\ND\74P\78P\NS5\001\74P78PNS5BF001B-A1