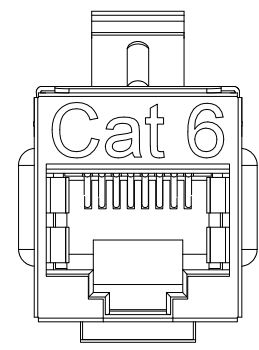
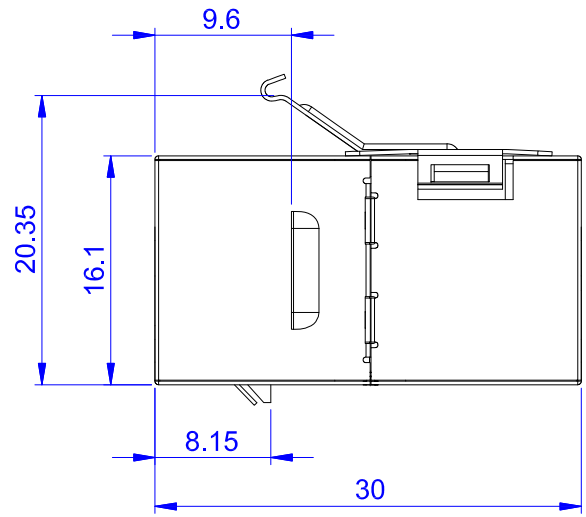
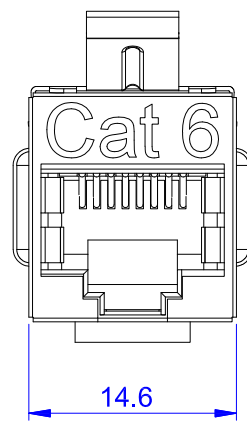
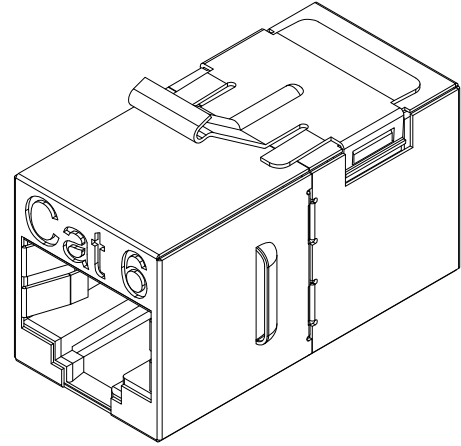


1  
ROHS Compliant

7	DATE	2015/12/09
	Revision	B

- Features :
- INSERTION LIFE:750 MATING CYCLES WITH FCC COMPLIANT 8P PLUG.
  - CONTACT FORCE:100GRAMS WITH FCC COMPLAINT 8P PLUG.
  - PLUG RETENTION FORCE:11 LBF MIN
  - OPERATING TEMPERATURE RANGE: -10 °C TO 60 °C
  - STORAGE TEMPERATURE RANGE: -40 °C TO 68 °C
  - HUMIDITY: 10%~ 90%RH.

- Electrical :
- CONTACT RESISTANCE : 20 mΩ
  - DC CURRENT RATING : 1.5Amps
  - DC RESISTANCE : Max.0.1Ω
  - DC INSERTION RESISTANCE : 500 mΩ
  - DIELECTRIC WITHSTANDING VOLTAGE:1000VAC



TOLERANCE	
.XXXX	----
.XXX	0.10
.XX	0.25
.X	0.38

MATERIAL	
CATEGORY	<input type="checkbox"/> CAT.5E <input checked="" type="checkbox"/> CAT.6 <input type="checkbox"/> CAT.3 <input type="checkbox"/> OTHER _____
HOUSING	ABS UL94V-0
SPRING WIRE	PHOSPHOR BRONZE50u"GOLD PLATED.
COLOR	<input type="checkbox"/> WHITE <input type="checkbox"/> BLACK <input type="checkbox"/> GREEN <input type="checkbox"/> BLUE <input type="checkbox"/> YELLOW <input type="checkbox"/> RED <input type="checkbox"/> ORANGE <input type="checkbox"/> IVORY <input type="checkbox"/> OTHER _____
TYPE OF PRODUCT	<input type="checkbox"/> UNSHIELD <input checked="" type="checkbox"/> SHIELD : 0.25mm THICKNESS COPPER ALLOY WITH NICKLE PLATED.

P/NO. SY-350SG8M-C6		
ITEM. Inline Coupler	CO. SY	S/N. SY-350SG8M-C6
DR. Mark 2015/12/09	APPD.	CHKD.
		FILE. SY-350SG8M-C6
		SCALE /
UNIT mm	SIZE A4	

REV.	DESCRIPTION	ENG.	APPROVAL
1	2	3	4

7	UNIT mm	SIZE A4
---	---------	---------