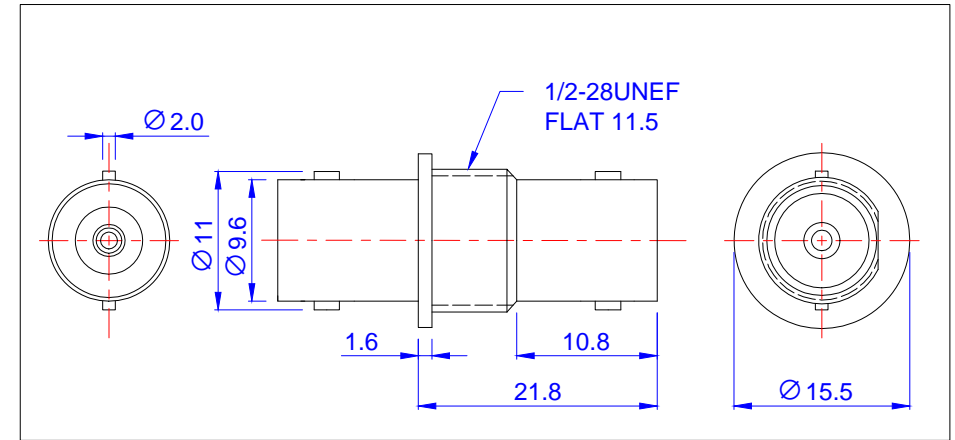
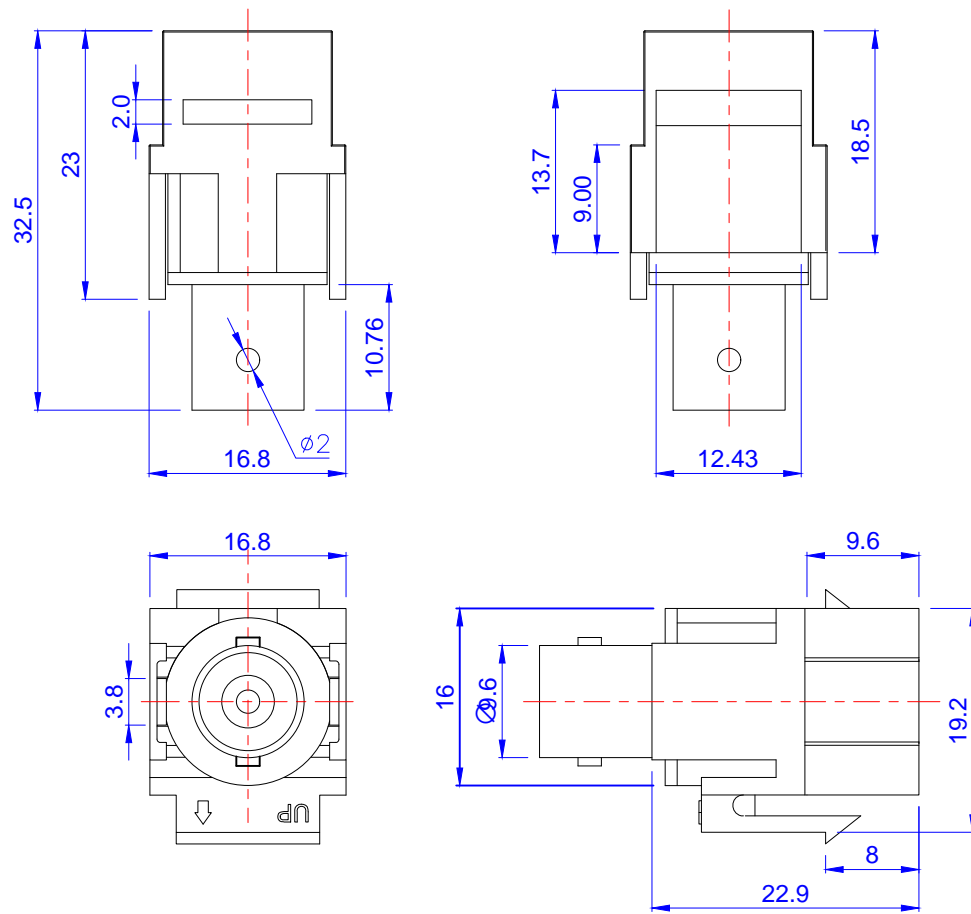


ROHS Compliant

DATE	2022/02/24
Revision	B



TOLERANCE	
.XXX	0.10
.XX	0.25
.X	0.38

MATERIAL

Housing	UL-94-V-0 Fire-Resistance ABS
BNC adapter	ZINC, NICKEL/BRASS,PLATE WITH GOLD

P/NO. SY-BNC-1		ITEM. Snap-in Module	CO. SY	S/N. SY-BNC-1	
		DR.	APPD.	CHKD.	
		FILE. SY-BNC-1			
		SCALE /			
REV.	DESCRIPTION	ENG.	APPROVAL	UNIT mm	SIZE A4