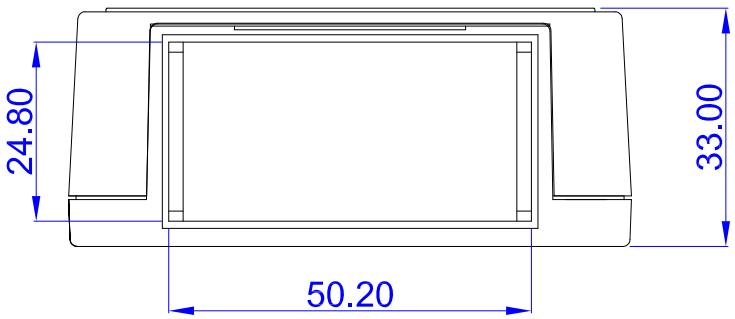
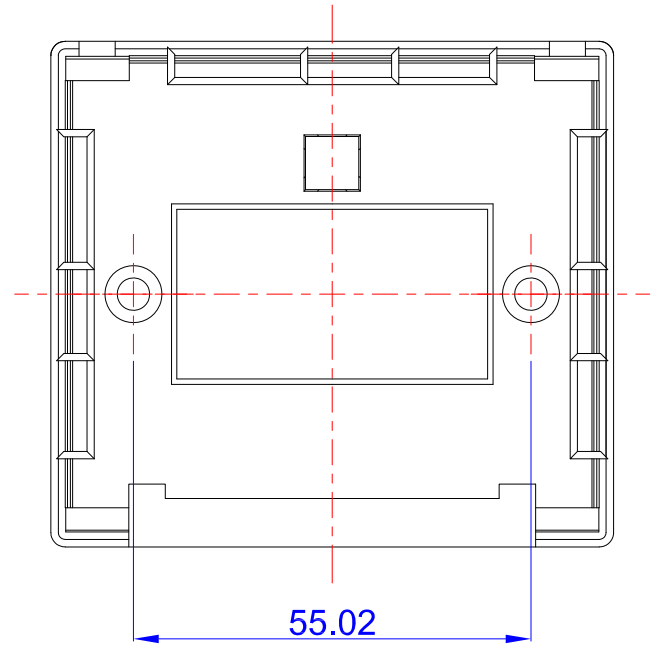
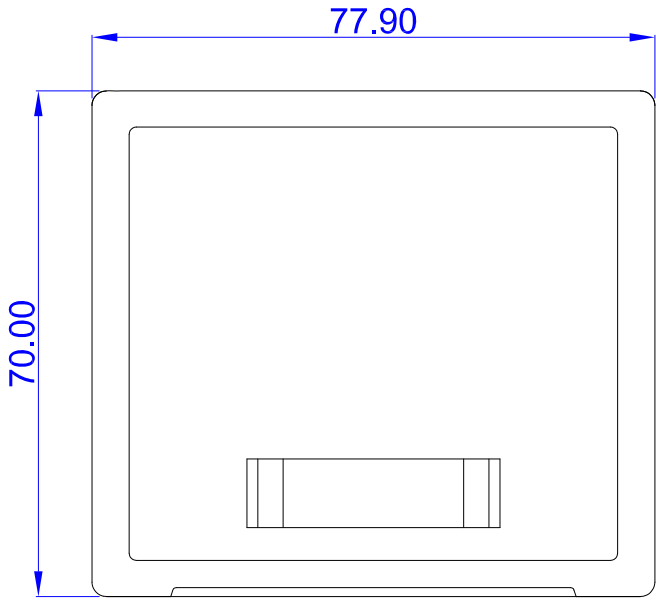


1 ROHS Compliant

7 DATE	2012/10/19
Revision	A



TOLERANCE	
.XXXX	---
.XXX	0.10
.XX	0.25
.X	0.38

MATERIAL			
HOUSING	ABS UL-94V-0	COLOR	<input type="checkbox"/> WHITE <input type="checkbox"/> IVORY
Description	1 Flat Snap-in Module Space		
REV.	DESCRIPTION	ENG.	APPROVAL

P/NO.		SY-M2-U2-P	
ITEM.	Wall Plate	CO.	SY
DR.	Wakka 2012/10/19	S/N.	
		APPD.	CHKD.
		FILE.	
SCALE	/		
UNIT	mm	SIZE A4	

A

B

C

D

E

A

B

C

D

E