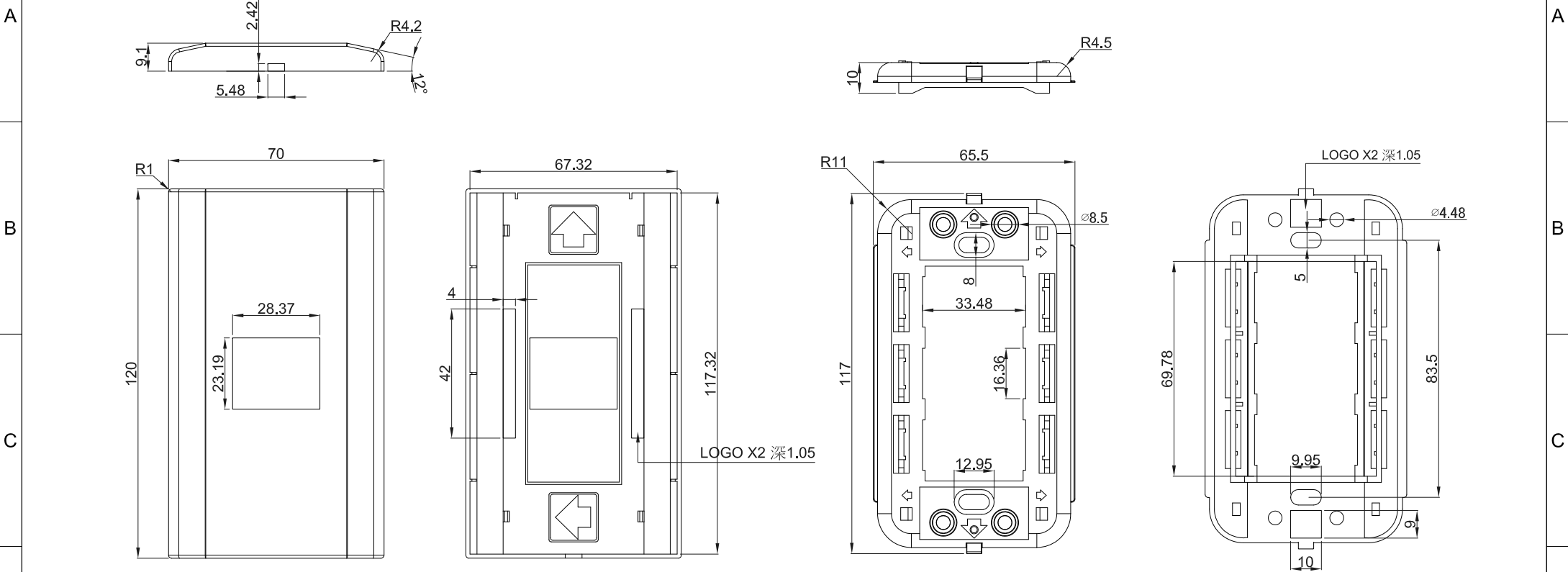


ROHS Compliant

DATE	2012/08/17
Revision	A



TOLERANCE	
.XXXX	---
.XXX	0.10
.XX	0.25
.X	0.38

MATERIAL			
HOUSING	ABS UL-94V-0	COLOR	<input type="checkbox"/> WHITE <input type="checkbox"/> IVORY
ENCLOSURE	<input type="checkbox"/> SCREW (3.5x20mm) x 2	<input type="checkbox"/> SCREW (3.5x25mm) x 2	<input type="checkbox"/> SCREW (6x25mm) x 2
	9000352000	90035025TP2	7000602500
	<input type="checkbox"/> CLEAR COVER x2, WHITE PAPER(9.5x37mm) x2 <input type="checkbox"/> WHITE COVER <input type="checkbox"/> IVORY COVER		
REV.	DESCRIPTION	ENG.	APPROVAL

P/NO. SY-N-1	
ITEM. Wall Plate	CO. SY
DR. Wakka 2012/08/17	S/N. SY-N-1
APPD. CHKD.	
FILE. SY-N-1	
SCALE /	SIZE A4
UNIT mm	