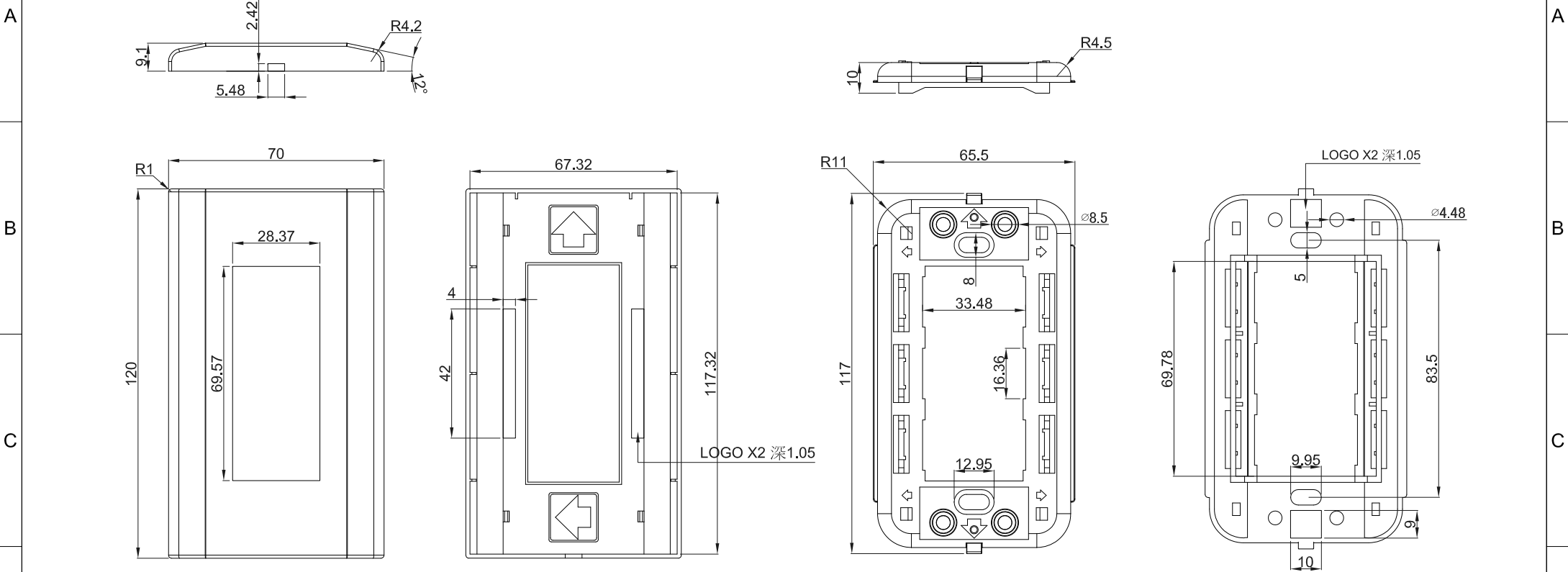


ROHS Compliant

DATE	2012/08/17
Revision	A



TOLERANCE	
.XXXX	---
.XXX	0.10
.XX	0.25
.X	0.38

MATERIAL			
HOUSING	ABS UL-94V-0	COLOR	<input type="checkbox"/> WHITE <input type="checkbox"/> IVORY
ENCLOSURE	<input type="checkbox"/> SCREW (3.5x20mm) x 2	<input type="checkbox"/> SCREW (3.5x25mm) x 2	<input type="checkbox"/> SCREW (6x25mm) x 2
	<input type="checkbox"/> 9000352000	<input type="checkbox"/> 90035025TP2	<input type="checkbox"/> 7000602500
	<input type="checkbox"/> CLEAR COVER x2, WHITE PAPER(9.5x37mm) x2 <input type="checkbox"/> WHITE COVER <input type="checkbox"/> IVORY COVER		
REV.	DESCRIPTION	ENG.	APPROVAL

P/NO.		SY-N-3			
ITEM.	Wall Plate	CO.	SY	S/N.	SY-N-3
DR.	Wakka 2012/08/17	APPD.		CHKD.	
				FILE.	SY-N-3
				SCALE	/
				UNIT	mm
				SIZE	A4