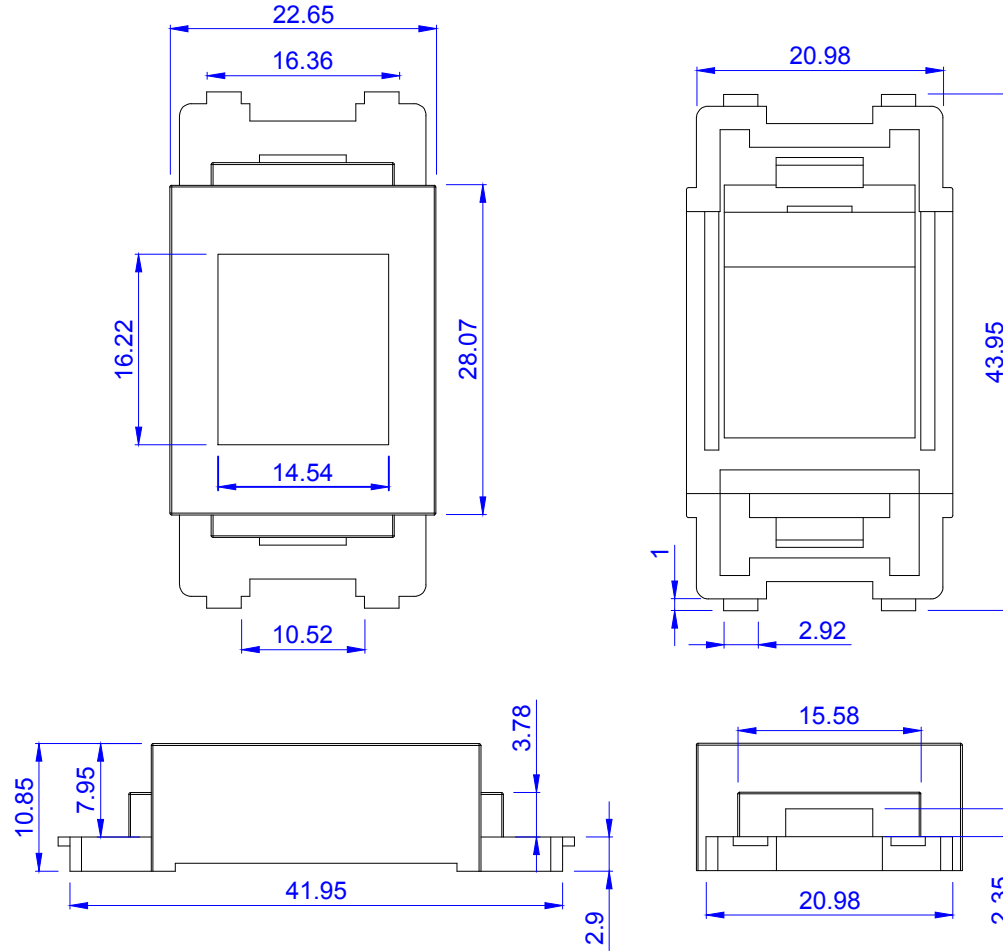


ROHS Compliant

DATE	2018/09/19
Revision	B



TOLERANCE	
.XXX	0.10
.XX	0.25
.X	0.38

**P/NO. SY-NWT-KV-WH**

MATERIAL			
UL-94-V-0 Fire-Resistance ABS			
Snap-in Module Type : Keystone			
Standard Color : White			
REV.	DESCRIPTION	ENG.	APPROVAL
1			

ITEM. Snap-in Module	CO. SY	S/N. SY-NWT-KV
DR.	APPD. Sweet 2018/09/19	CHKD.
FILE. SY-NWT-KV		SCALE /
UNIT mm	SIZE A4	