

ROHS Compliant

DATE	2019/04/10
Revision	A

FEATURES :

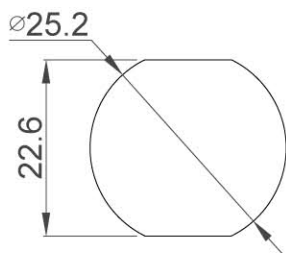
- Insertion:750 Mating Cycles With FCC Compliant 8P Plug.
- Contact Force:100 Grams With FCC Compliant 8P Plug.
- Plug Retention Force:11 LBF Min.
- Operating Temperature Range:-10°C TO 60°C.
- Storage Temperature Range:-40°C TO 68°C
- Humidity:10%~90%RH

ELECTRICAL :

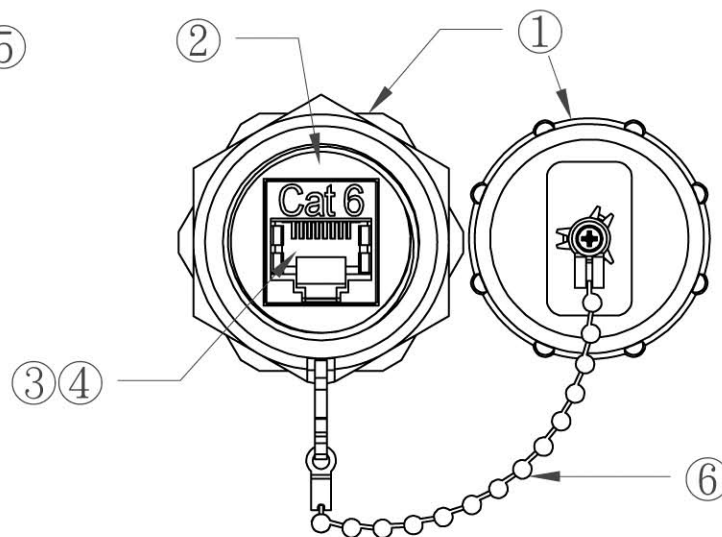
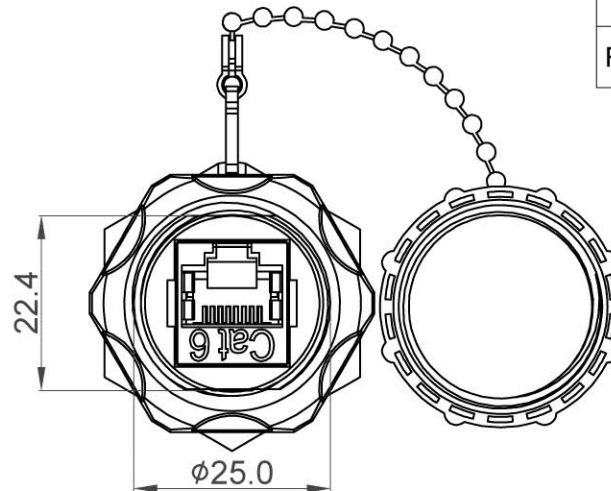
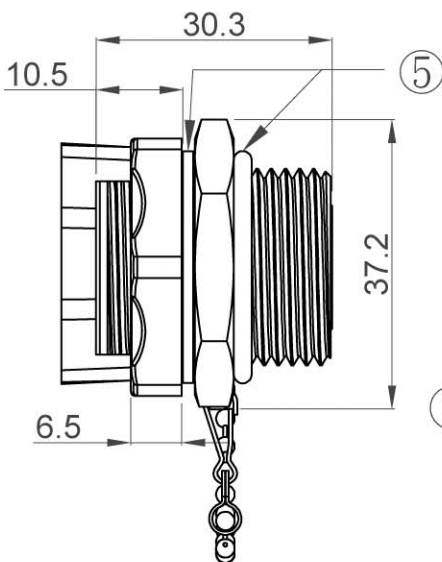
- Contact resistance : 20m ohm
- DC Current rating : 1.5Amps
- DC resistance : Max.0.1 ohm
- Insulation Resistance : 500m ohm
- Dielectric withstanding voltage : 1000V

IP67

ACCORDING TO IEC 60529:2001-02
 Degrees of Protection Provided by Enclosures
 6:Dust-tight
 7:Protected from immersion in water for 30 minutes at a depth of 1 meter.



Recommended PANEL CUT



TOLERANCE	
.XXX	0.10
.XX	0.25
.X	0.38

MATERIAL

- ① MAIN BODY & DUST CAP : PBT+GF,UL94V-0 Color:BLACK
- ② COUPLER HOUSING : ABS,UL94-0.
- ③ JACK WIRE : PHOSPHOR BRONZE,50U" GOLD PLATED.
- ④ SHIELDED CASE: BRASS,NICKEL PLATED.
- ⑤ O-RING : EPDM
- ⑥ CHAIN : BRONZE,NICKEL PLATED. ; CONTACT : COPPER ALLOY,T=0.2MM. ; SHELL : COPPER ALLOY,T=0.5MM.

P/NO. SY-WP8DS-C6

ITEM. IP67 Waterproof

DR.

FILE: SY-WP8DS-C6

SCALE 1:1



UNIT mm

SIZE A4