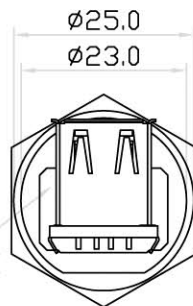


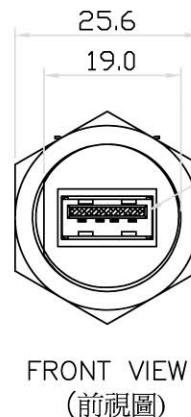
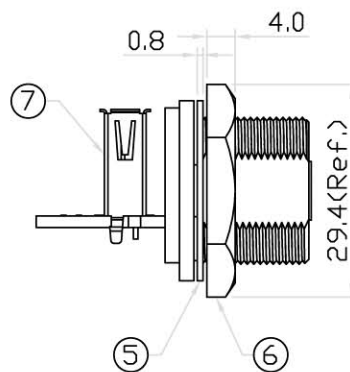
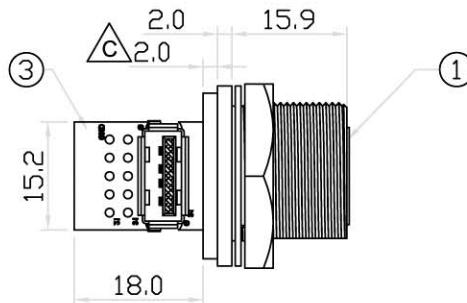
19.3 ± 0.1
RECOMMENDED
PANEL CUT OUT

RoHS

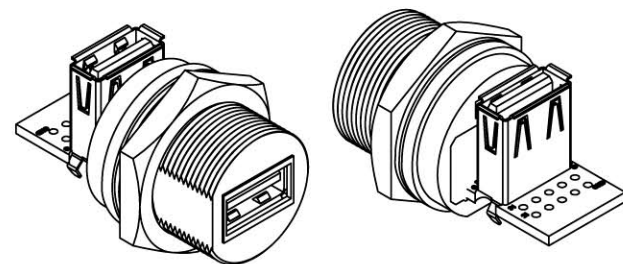
IP66



REAR VIEW
(後視圖)

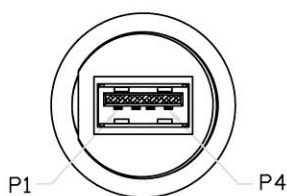


FRONT VIEW
(前視圖)



NOTES:

1. Current Rating: 1A
2. Connector Temperature Range: -25°C to 85°C
3. Contact Resistance: ≤30mΩ
4. Insulation Resistance: ≥100MΩ
5. Breakdown Voltage: ≥AC 500V/1 Minute
6. Panel Thickness Max. 6.0 mm



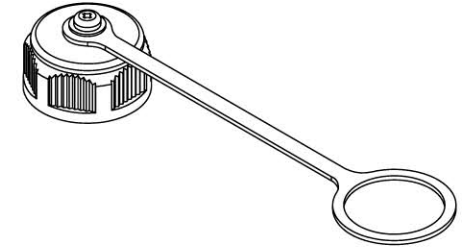
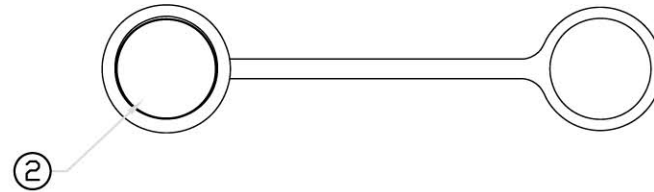
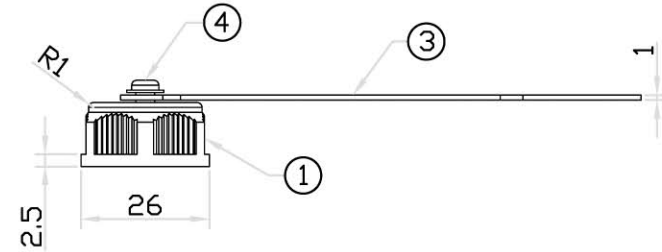
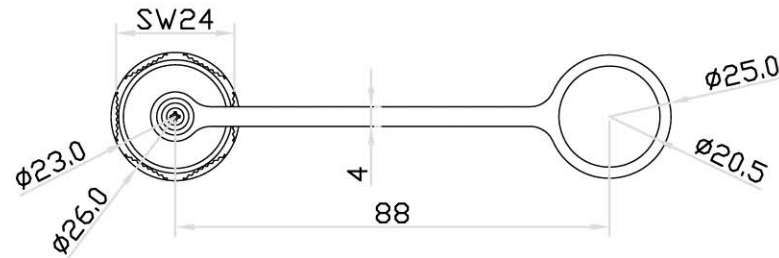
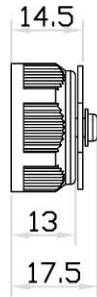
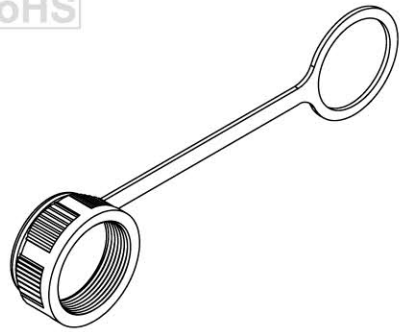
PIN ASSIGNMENT
FRONT VIEW
(前視圖)

OLD P/N:USB2AC-P3CSJ
(原型號)

7	CONNECTOR	USB 2.0 A Type Female Straight PCB Type.		1	
6	HEX NUT	NYLON+GF.	BLACK	1	
5	GASKET	EPDM.	BLACK	1	
4	GLUE	EPOXY.	BLACK	1	
3	PCB	FR4. Double Size, 1.6mm Thickness		1	
2	CONNECTOR	USB 2.0 A Type Female Connector.	WHITE	1	
1	BODY	USB A Type Female Connector Body. NYLON+GF.	BLACK	1	
No.	PART NAME	DESCRIPTION	COLOR	Q'TY	REMARKS

		UNIT: mm	TITLE : USB 2.0 A Type Female C Size Screw Type Circular Flange Panel With Straight USB 2.0 A Type Female		
SCALE		1:1	P/N: USB2AC-P3CRJ		
UNLESS OTHERWISE SPECIFIED, TOLERANCES:		.XX ± 0.5 .XXX ± 0.25		DR. Patty	
.XXX ± 0.1 ANGLE ± 1°				CH. ERIC	
REV. C	SHEET 1/1	DWG. NO: USB2AC-P3CRJ		AP.	

RoHS



REV	DESCRIPTION	DATE
A	ISSUE	Mar/10/2009
A1	CHANGE P/N AND DWG.NO.	Feb/25/2014
A2	ADD NOTES	Mar/17/2014

A2 NOTE:
 Maximum panel thickness:
 (適用面板最大厚度)
 C size series:2mm
 RJ45/USB/HDMI series:4mm
 C size front mount not available
 (不適用C size後鎖式板端接頭)

No.	PART NAME	DESCRIPTION	COLOR	Q'TY	REMARKS
4	SCREW	STAINLESS STEEL.	BLACK	1	CCP-CAP-S3x6B
3	CHAIN	PLASTIC RUBBER	BLACK	1	CAP CHAIN-B (59-135)
2	GASKET	PLASTIC RUBBER	BLACK	1	
1	SCREW CAP	NYLON+GF.	BLACK	1	CCP-MCAP (70-135-N4)

UNIT: mm	TITLE: WATERPROOF CAP SCREW TYPE WITH PLASTIC CHAIN FOR RJ45 ,C SIZE ,USB PANEL CONNECTOR
SCALE: 1:1.5	
UNLESS OTHERWISE SPECIFIED TOLERANCES: X ±0.25 XX ±0.1 XXX ±0.05 ANGLE ±1°X	P/N: A1 CCx-WCAP-MB
REV: A2	DR. Patty
SHEET: 1/1	CH. ERIC
	AP.
	DWG.NO: A1 CCx-WCAP-MB