

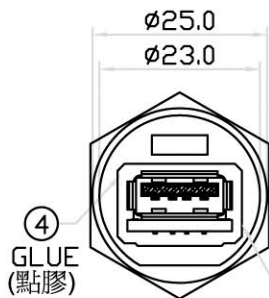
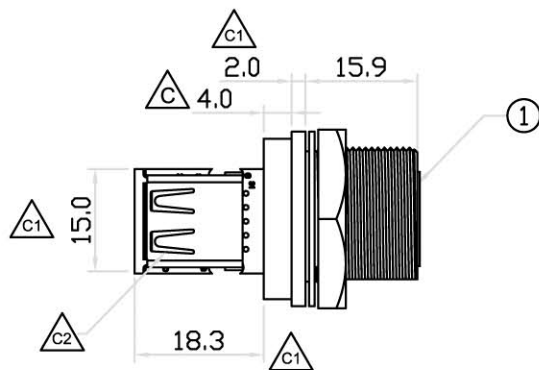
ø20.7 ±0.1

19.2 ±0.1

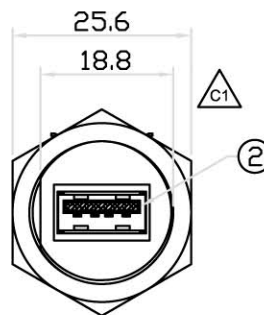
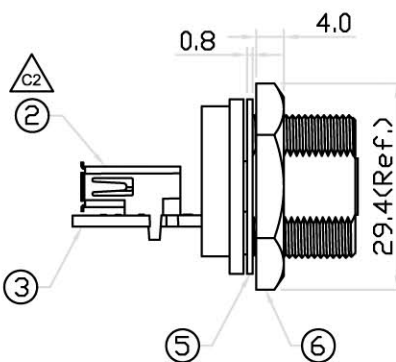
RECOMMENDED  
PANEL CUT OUT

RoHS

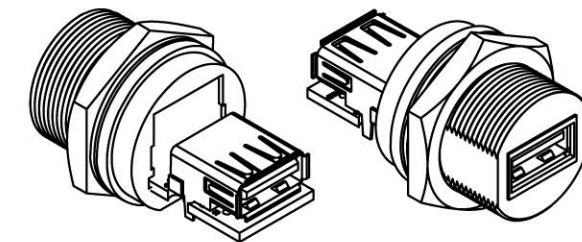
IP66



REAR VIEW  
(後視圖)



FRONT VIEW  
(前視圖)



NOTES:

1. Current Rating: 1A
2. Connector Temperature Range: -25°C to 85°C
3. Contact Resistance: ≤30mΩ
4. Insulation Resistance: ≥100MΩ
5. Breakdown Voltage: ≥AC 500V/1 Minute
6. Panel Thickness Max. 6.0 mm



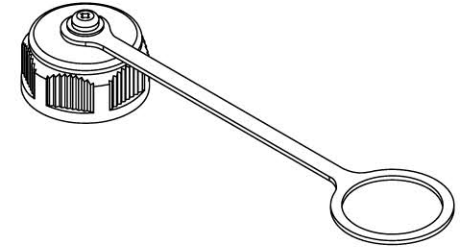
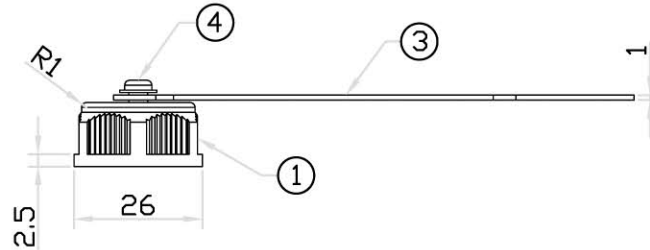
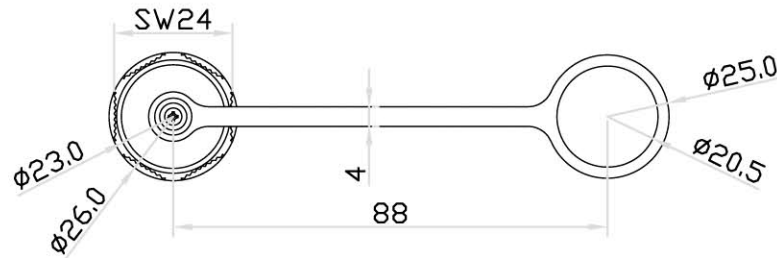
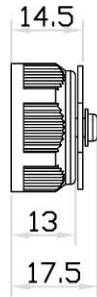
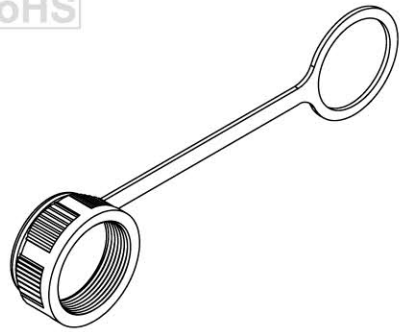
PIN ASSIGNMENT  
FRONT VIEW  
(前視圖)

OLD P/N:USB2AC-P3CRJ  
(原型號)

6	HEX NUT	NYLON+GF.	BLACK	1	
5	GASKET	EPDM.	BLACK	1	
4	GLUE	EPOXY.	BLACK	1	
3	PCB	FR4. Double Size, 1.6mm Thickness		1	
2	CONNECTOR	USB 2.0 A Type Female Connector.	WHITE	2	
1	BODY	USB A Type Female Connector Body. NYLON+GF.	BLACK	1	
No.	PART NAME	DESCRIPTION	COLOR	Q'TY	REMARKS

		UNIT mm	TITLE : USB 2.0 A Type Female C Size Screw Type Circular Flange Panel With Right Angle USB 2.0 A Type Female	
SCALE 1:1				
UNLESS OTHERWISE SPECIFIED TOLERANCES:		P/N:  USB2AC-P3CSJ		DR. Patty
X ± 0.5    XX ± 0.25 XXX ± 0.1    ANGLE ± 1°				CH. ERIC
REV. C2	SHEET 1/1	DWG.NO:  USB2AC-P3CSJ		AP.

RoHS



REV	DESCRIPTION	DATE
A	ISSUE	Mar/10/2009
A1	CHANGE P/N AND DWG.NO.	Feb/25/2014
A2	ADD NOTES	Mar/17/2014

**A2** NOTE:  
 Maximum panel thickness:  
 (適用面板最大厚度)  
 C size series:2mm  
 RJ45/USB/HDMI series:4mm  
 C size front mount not available  
 (不適用C size後鎖式板端接頭)

No.	PART NAME	DESCRIPTION	COLOR	Q'TY	REMARKS
4	SCREW	STAINLESS STEEL.	BLACK	1	CCP-CAP-S3x6B
3	CHAIN	PLASTIC RUBBER	BLACK	1	CAP CHAIN-B (59-135)
2	GASKET	PLASTIC RUBBER	BLACK	1	
1	SCREW CAP	NYLON+GF.	BLACK	1	CCP-MCAP (70-135-N4)

UNIT: mm	TITLE: WATERPROOF CAP SCREW TYPE WITH PLASTIC CHAIN FOR RJ45 ,C SIZE ,USB PANEL CONNECTOR
SCALE: 1:1.5	
UNLESS OTHERWISE SPECIFIED TOLERANCES: X ±0.25 XX ±0.1 XXX ±0.05 ANGLE ±1°X	P/N: <b>A1</b> CCx-WCAP-MB
REV: A2	DR. Patty
SHEET: 1/1	CH. ERIC
	AP.
	DWG.NO: <b>A1</b> CCx-WCAP-MB