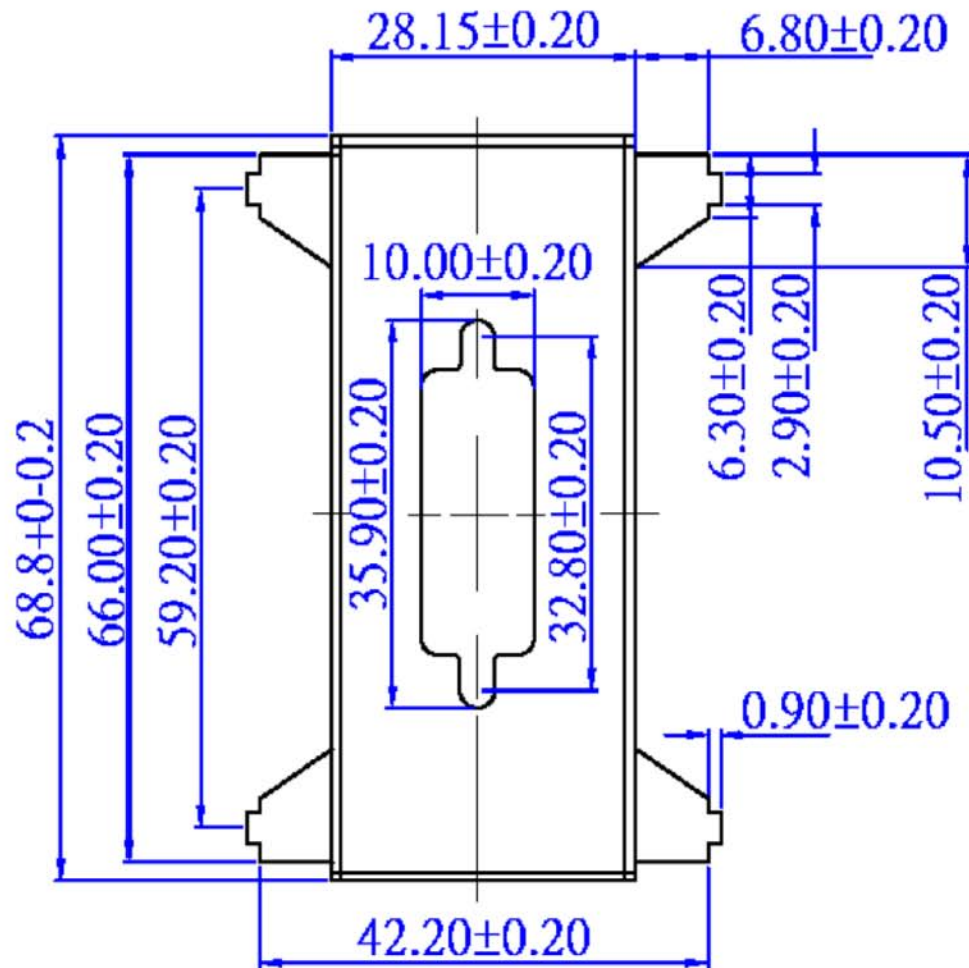


ROHS Compliant

Date	2011/10/06
Revision	A



TECHNICAL DATA

THICKNESS	0.8T
MATERIAL	台灣中鋼公司 G3141 SPCC (0.8T) 鐵板
COLOR	WHITE

P/NO. VTK - DVI

ITEM. VTK - DVI	CO. SH5468	FILE.
DR. wakka 2011/10/05	APPD.	CHKD.
SCALE /		
UNIT mm	SIZE A4	
SHEET	REV.	