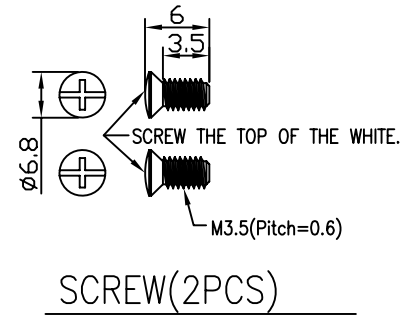
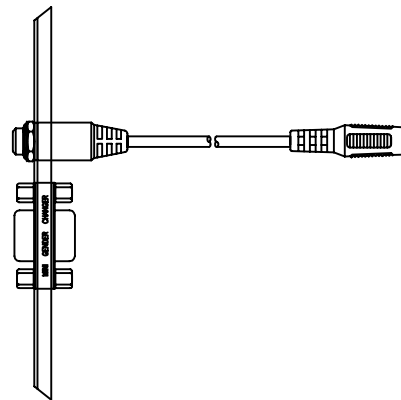
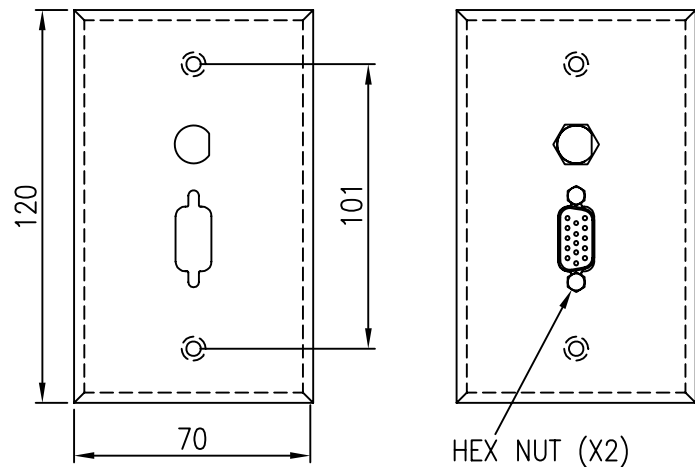


PIN OUT	
P1	P2
1	1 RED
2	2 WHITE
3	3 SPIRAL



JFPF-HD15F-35F

ASSEMBLY DRAWING

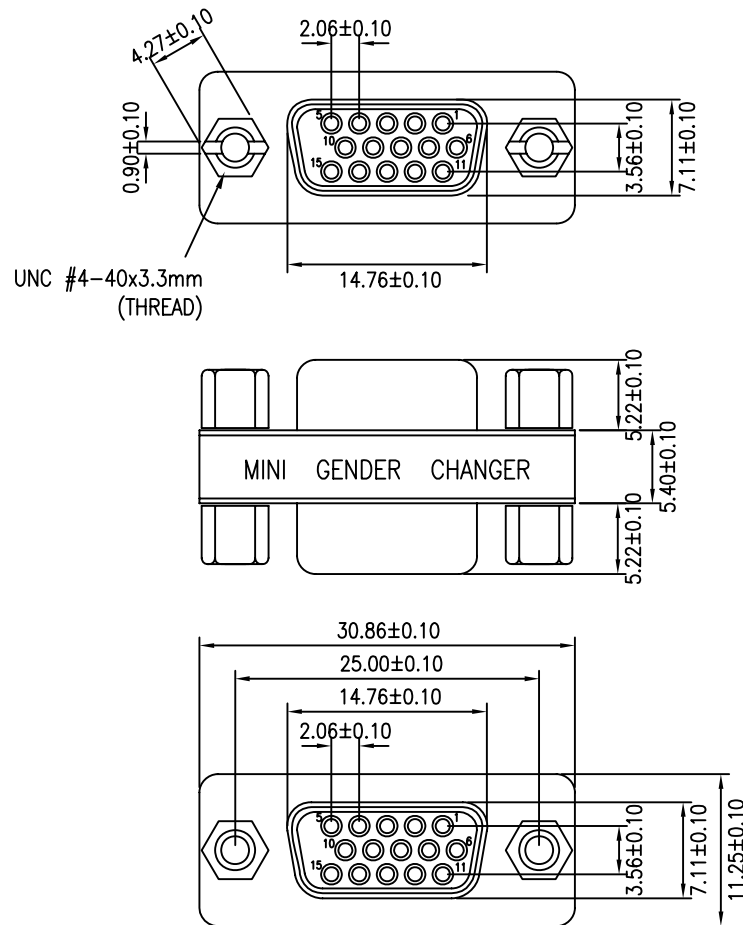
NOTES:

- ADAPTER:HD15F TO HD15F ADAPTER.WITH 4PCS #4-40 NUT.
- CABLE:NON-UL, 26AWG*2C+SPIRAL SHIELD,BLACK PVC JACK,OD3.0±0.15mm.
- CONNECTOR:P1: DC3.5mm STEREO JACK, NICKEL PLATED SHELL, WITH HEX NUT AND WASHER.
P2:DC3.5mm STEREO JACK,SOLDER TYPE,BLACK INSULATION,NICKEL PLATED SHELL.
- SCREW: M3.5 (PITCH: 0.6MM) , L=6MM, NICKEL PLATED. SCREW THE TOP OF THE WHITE.
- ALL HOOD: MOLDED BLACK 45P PVC.
- TESTING: 100% ELECTRICAL TESTING.
- MOLD NO.:DC35-01,DC35F-01.

NET MECHANISM Corp
www.cabling-ol.net

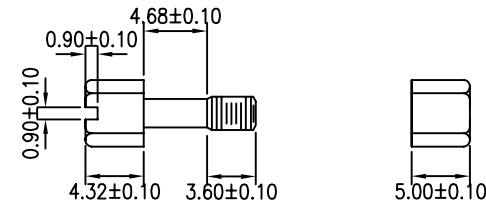
SCALE	NONE		REV	A
UNIT	MM			
SHEET	2/2	DWG NO.		
DATE	11/23/10			

TITLE
HD15F AND DC3.5 JACK ADAPTER FACEPLATE
PART NO.
WPAD-WH-HD15-35A



UNC #4-40x3.3mm
(THREAD)

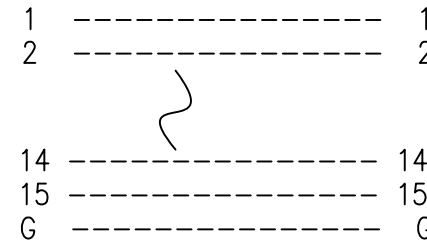
UNC #4-40 Hexscrew UNC #4-40 Hexnut



HGCF 15 F/F GENDER CHANGER

PIN OUT: 15Female

15Female



Label: yellow color with black character
 One side: MINI GENDER CHANGER
 The other side: U.S.A. PATENT 5199906 GENDER CHANGER
 SPECIFICATION
 INSULATOR: PBT Glass fibre reinforced UL 94 V0
 CONTACT: Brass
 CONTACT PLATING: Gold plated over nickel
 SHELL: Tin Plated Shell (Nickel Silver)
 CURRENT RATING: 3 AMP
 DIELECTRIC STRENGTH: 1000V AC for one minute
 INSULATOR RESISTANCE: 1000MΩ min at 500V DC
 TEMPERATURE: -55° C → +105° C

NET MECHANISM Corp
 www.cabling-ol.net

SCALE	NONE		REV	A
UNIT	MM			
SHEET	1/2	DWG NO.		
DATE	11/23/10			
TITLE				
HD15F AND DC3.5 JACK ADAPTER FACEPLATE				
PART NO.				
WPAD-WH-HD15-35A				